

Tile Hook



Parts:

- One (1) stainless tile hook top
- One (1) stainless tile hook base
- One (1) rail nut with one (1) 5/16 X 1-1/4" stainless steel bolt/washer
- One (1) 5/16 X 3/4" stainless steel carriage bolt with one (1) 5/16 stainless steel flange nut
- One (1) tile hook flashing (optional)



Material: 304 stainless steel, extruded aluminum alloy 6061-T6, aluminum 3003-H14

Finish: Clear

Ultimate Tensile: 73 ksi

Yield: 31 ksi

Installation: Use anti-seize and tighten to 12 lb-ft of torque

Load: Loads are given for the tile hook to beam connection only; be sure to check load limits for tile hook, lag screw, or other attachment method.

Certificate: P.E. certified and Class 'A' Fire Rating

Part #	Description	Finish	Height*	Unit Weight (LB)
101-008-102	Tile hook (tile hook top and base, 3/4" carriage bolt and flange nut, rail nut, 1" bolt/washer) **	Clear	6.6" - 8.6" (168 - 218 mm)	1.84
101-008-103	Low tile hook (low tile hook top and base, 3/4" carriage bolt and flange nut, rail nut, 1-1/4" bolt/washer) ***		6.3" - 8.0" (159 - 204 mm)	1.74
101-008-106	Tile hook for stone-coated steel roof (tile hook, rail nut, 1-1/4" bolt/washer)		6.3" - 8.3" (161 - 211 mm)	1.35
101-019-110	Tile hook only (same as 101-008-102 except it doesn't have rail nut and 1-1/4" bolt/washer)		6.6" - 8.6" (168 - 218 mm)	1.75
101-019-111	Low tile hook only (same as 101-008-103 except it doesn't have rail nut and 1-1/4" bolt/washer)		6.3" - 8.0" (159 - 204 mm)	1.65
101-019-114	Tile hook only for stone coated steel roof (same as 101-008-106 except it doesn't have rail nut and 1-1/4" bolt/washer)		5.7" - 7.0" (128 - 178 mm)	1.27
101-008-100	Tile hook flashing (13" wide and 7" deep)		N/A	0.29

* Height is the spacing between rail top and the bottom of tile hook base (the space clearance between bottom of PV module frame and the bottom of tile hook base).

** The clearance under the horizontal portion of the tile hook is 1.5" – 2.1" (40 – 52.5 mm).

*** Low tile hook is designed for flat tile installed without batten. The clearance under the horizontal portion of the low tile hook is 1.1" – 1.4" (29 – 36 mm).

1 2 3 4 5 6

A

B

C

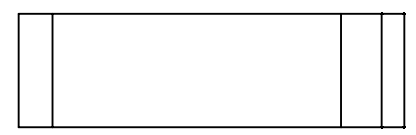
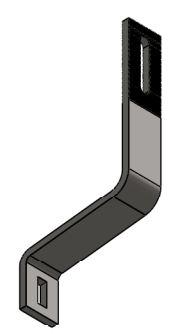
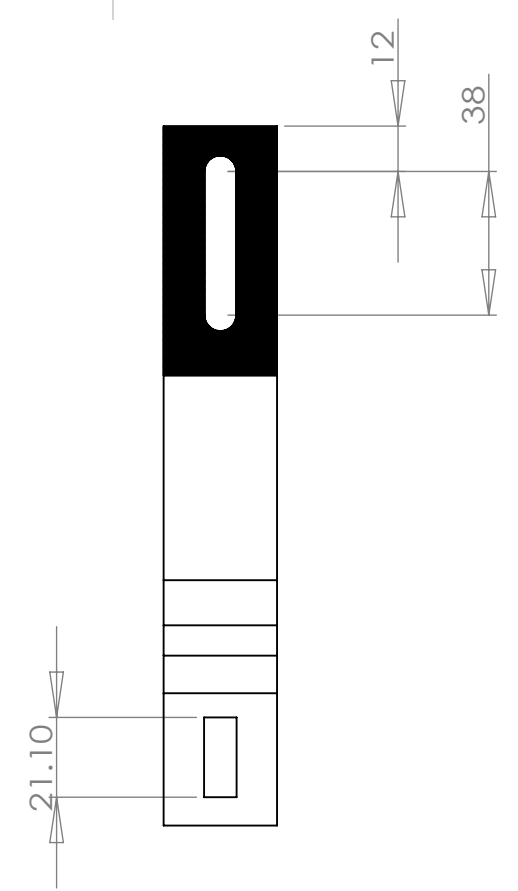
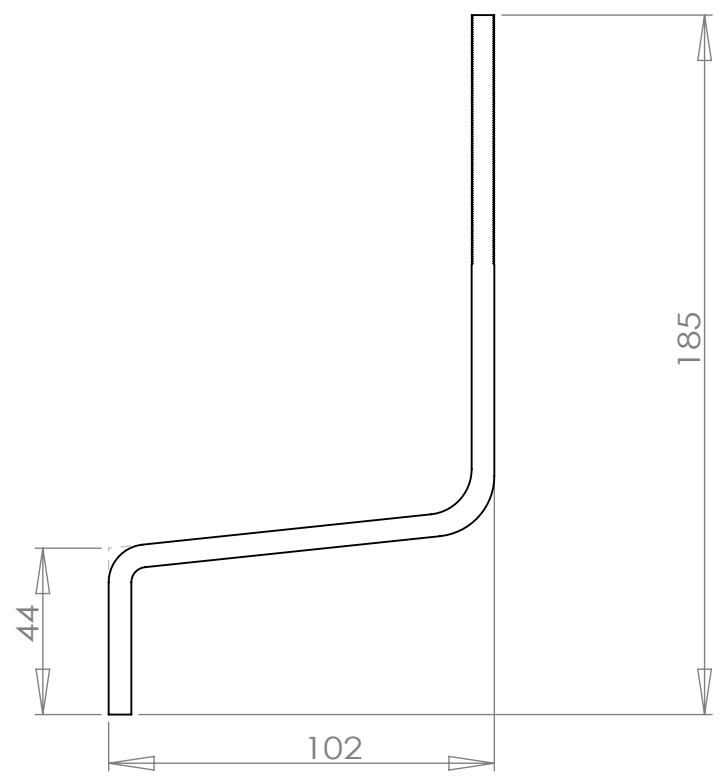
D

A

B

C

Unit: mm
1 inch = 25.4 mm



UNLESS OTHERWISE SPECIFIED:
DIMENSIONS ARE IN MILLIMETERS
SURFACE FINISH:
TOLERANCES:
LINEAR:
ANGULAR:

FINISH:

DEBUR AND
BREAK SHARP
EDGES

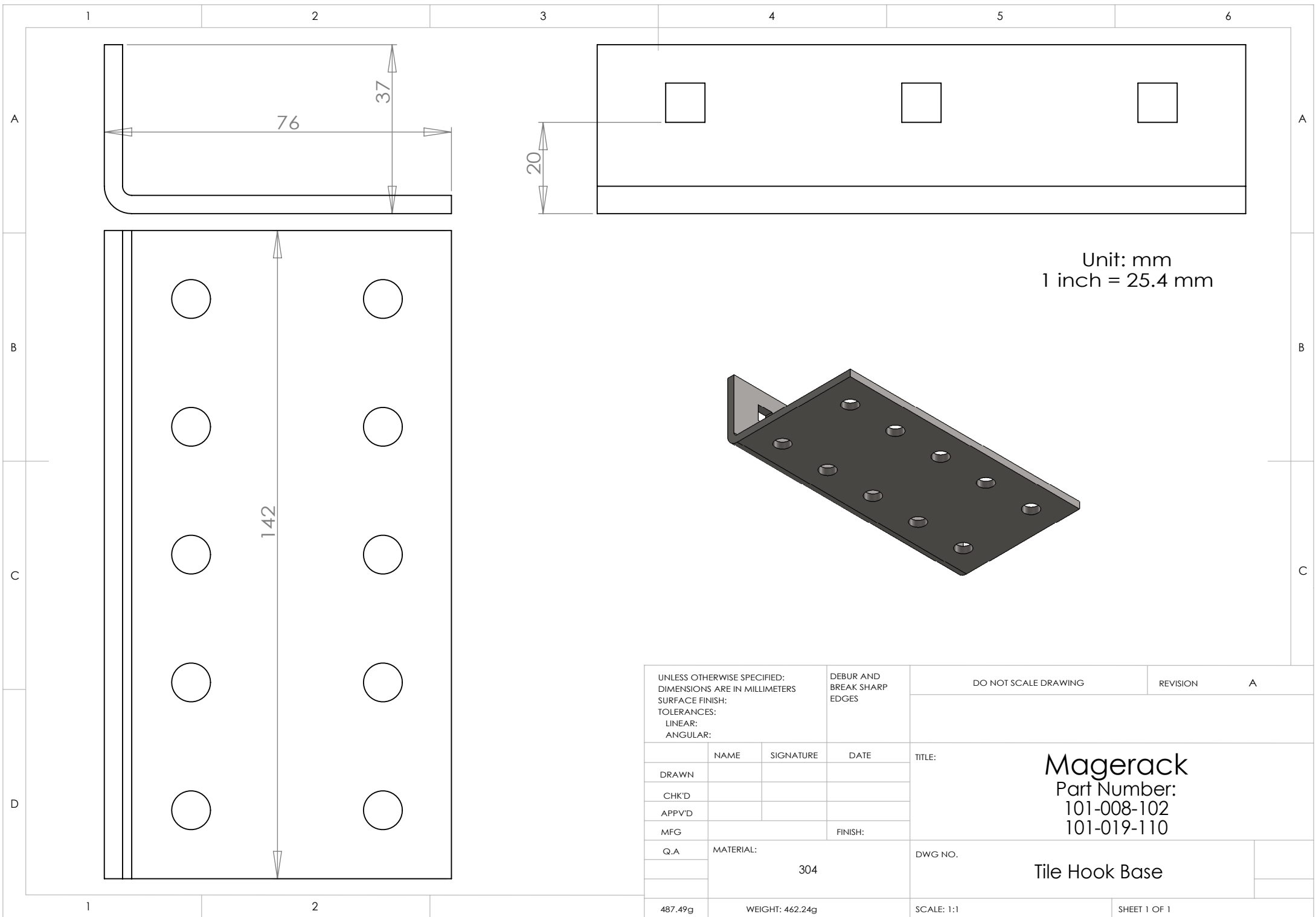
DO NOT SCALE DRAWING

REVISION A

	NAME	SIGNATURE	DATE		
DRAWN					
CHK'D					
APPV'D					
MFG					
Q.A					
				MATERIAL:	
					304

TITLE: **Magerack**
Part Number:
101-008-102
101-019-110

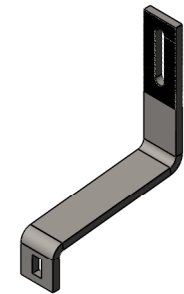
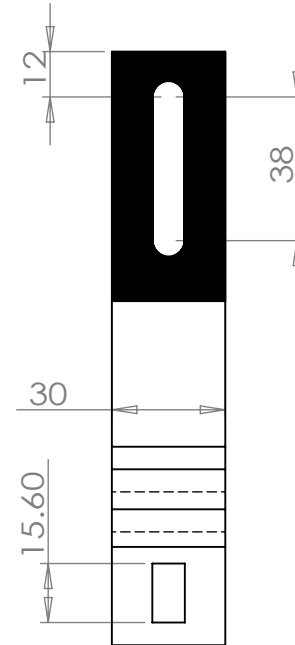
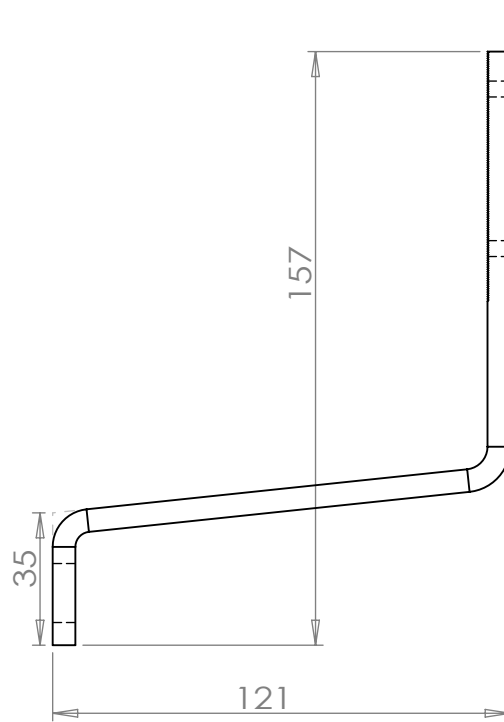
DWG NO. **Tile Hook Top**



Unit: mm
1 inch = 25.4 mm

UNLESS OTHERWISE SPECIFIED: DIMENSIONS ARE IN MILLIMETERS SURFACE FINISH: TOLERANCES: LINEAR: ANGULAR:			DEBUR AND BREAK SHARP EDGES	DO NOT SCALE DRAWING	REVISION	A
	NAME	SIGNATURE	DATE	TITLE: Magerack Part Number: 101-008-102 101-019-110		
DRAWN						
CHK'D						
APPV'D						
MFG			FINISH:			
Q.A	MATERIAL:			DWG NO.		
	304			Tile Hook Base		
487.49g	WEIGHT: 462.24g		SCALE: 1:1	SHEET 1 OF 1		

Unit: mm
1 inch = 25.4 mm



UNLESS OTHERWISE SPECIFIED:
DIMENSIONS ARE IN MILLIMETERS
SURFACE FINISH:
TOLERANCES:
LINEAR:
ANGULAR:

FINISH:

DEBUR AND
BREAK SHARP
EDGES

DO NOT SCALE DRAWING

REVISION A

NAME	SIGNATURE	DATE			
DRAWN					
CHK'D					
APPV'D					
MFG					
Q.A					

TITLE:
Magerack
Part Number:
101-008-103
101-019-111

DWG NO. **Low Tile Hook Top**

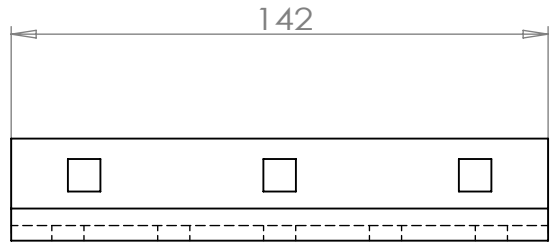
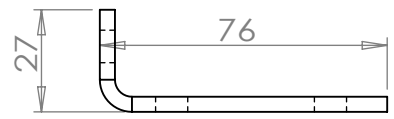
A4

WEIGHT: 339.20g

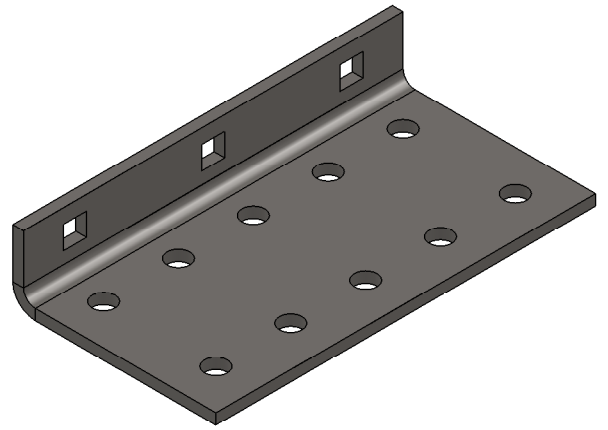
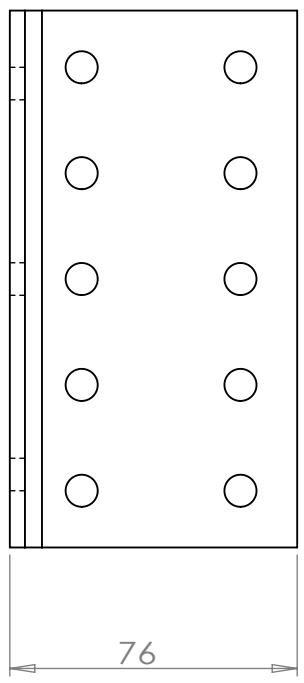
SCALE: 1:2

SHEET 1 OF 1

1 2 3 4 5 6



Unit: mm
1 inch = 25.4 mm



UNLESS OTHERWISE SPECIFIED:
DIMENSIONS ARE IN MILLIMETERS
SURFACE FINISH:
TOLERANCES:
LINEAR:
ANGULAR:

FINISH:

DEBUR AND
BREAK SHARP
EDGES

DO NOT SCALE DRAWING

REVISION A

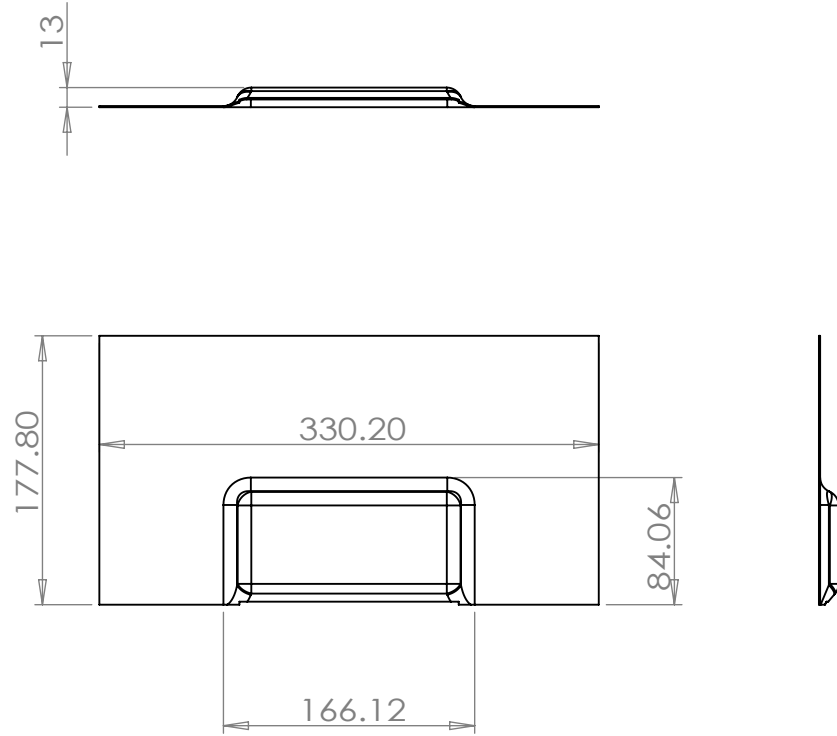
	NAME	SIGNATURE	DATE		
DRAWN					
CHK'D					
APPV'D					
MFG					
Q.A					

TITLE: **Magerack**
Part Number:
101-008-103
101-019-111

DWG NO. **Low Tile Hook Base**

MATERIAL:
304

Unit: mm
1 inch = 25.4 mm



UNLESS OTHERWISE SPECIFIED:
DIMENSIONS ARE IN MILLIMETERS
SURFACE FINISH:
TOLERANCES:
LINEAR:
ANGULAR:

FINISH:

DEBUR AND
BREAK SHARP
EDGES

DO NOT SCALE DRAWING

REVISION A

	NAME	SIGNATURE	DATE		
DRAWN					
CHK'D					
APPV'D					
MFG					
Q.A					
				MATERIAL:	
					3003

TITLE:
Magerack
Part Number:
101-008-100

DWG NO. **Tile Hook Flashing**

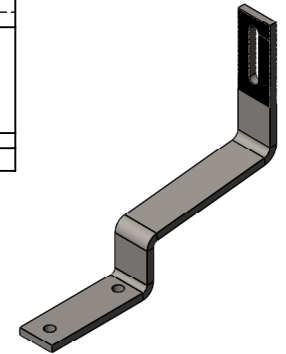
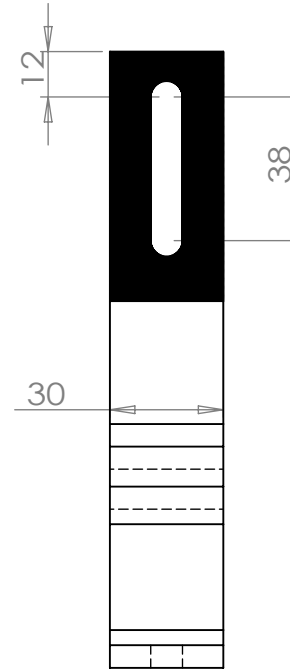
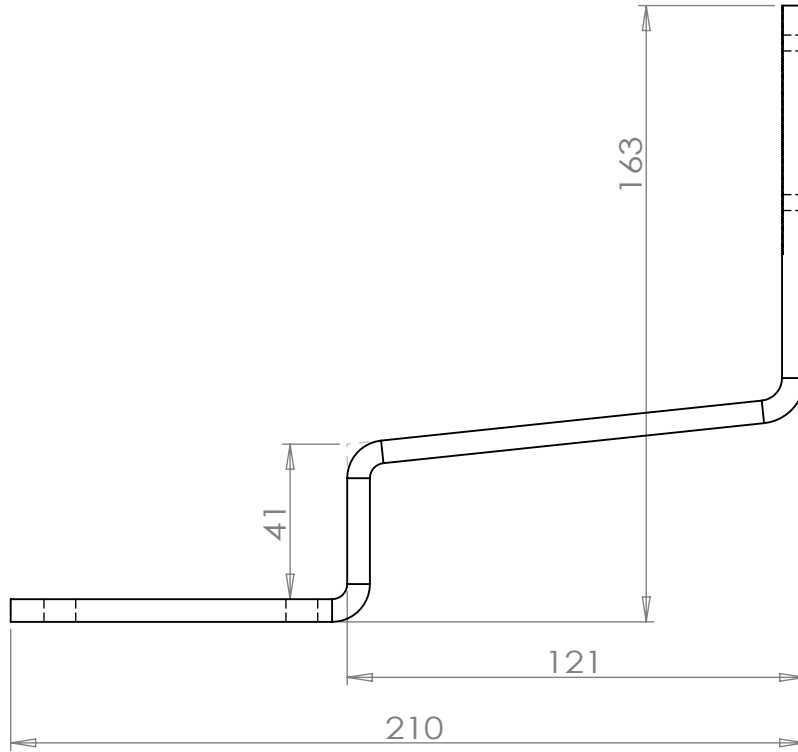
WEIGHT: 82.21g

SCALE: 1:1

SHEET 1 OF 1

1 2 3 4 5 6

Unit: mm
1 inch = 25.4 mm

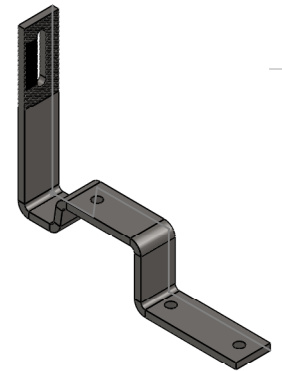
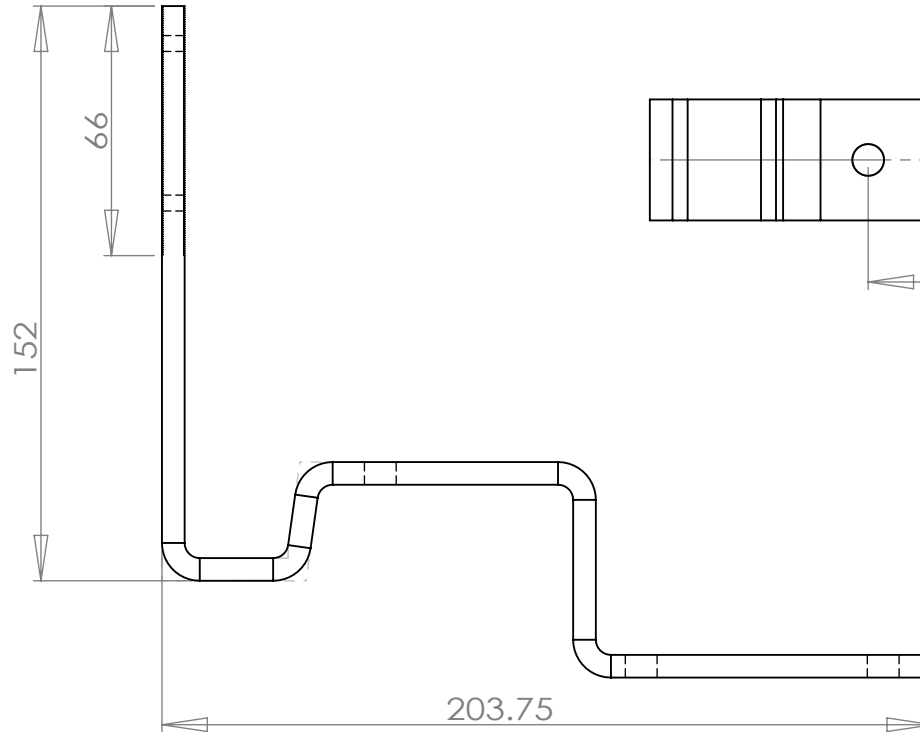
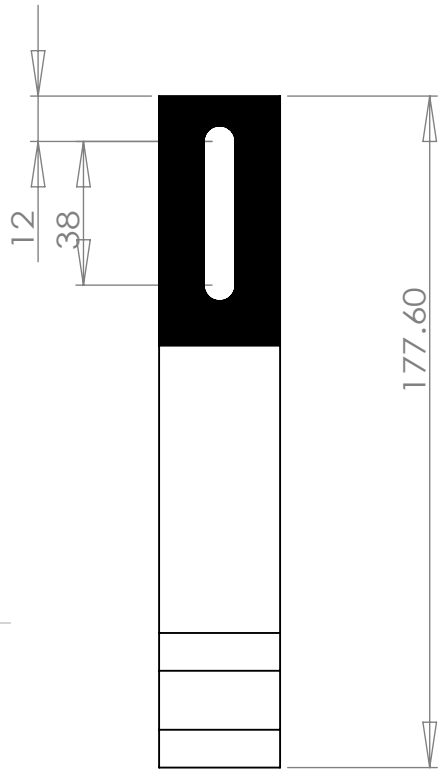


UNLESS OTHERWISE SPECIFIED: DIMENSIONS ARE IN MILLIMETERS SURFACE FINISH: TOLERANCES: LINEAR: ANGULAR:			FINISH:		DEBUR AND BREAK SHARP EDGES	
NAME	SIGNATURE	DATE				
DRAWN						
CHK'D						
APPV'D						
MFG						
Q.A			MATERIAL:			
			304			
			WEIGHT: 473.44g			

DO NOT SCALE DRAWING		REVISION	A
TITLE: Magerack Part Number: 101-008-104 101-019-112			
DWG NO.		A4	
SCALE: 1:2		SHEET 1 OF 1	

1 2

Unit: mm
1 inch = 25.4 mm



UNLESS OTHERWISE SPECIFIED: DIMENSIONS ARE IN MILLIMETERS SURFACE FINISH: TOLERANCES: LINEAR: ANGULAR:		FINISH:		DEBUR AND BREAK SHARP EDGES		DO NOT SCALE DRAWING		REVISION	
DRAWN		SIGNATURE		DATE		TITLE:		<p>Magerack Part Number: 101-008-106 101-019-114</p>	
CHK'D									
APPV'D									
MFG									
Q.A				MATERIAL:		DWG NO.		<p>Tile Hook for Stone Coated Steel Roof</p>	
				304					
				619.26g		WEIGHT: 590.52g		SCALE: 1:2	
								SHEET 1 OF 1	