

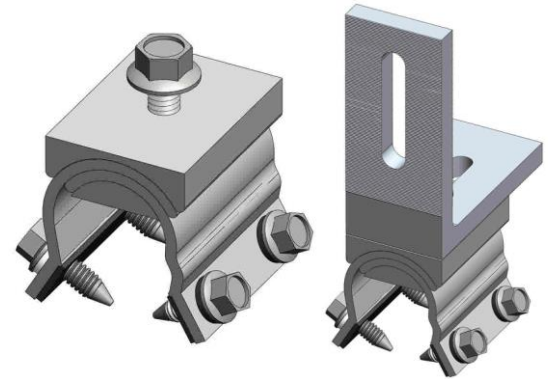


## Roof Attachments and Mounting Kits for Metal Roof

### MageBracket R for R-Panel Trapezoidal Metal Roof

MageBracket R is roof attachment for solar installation on R-panel trapezoidal metal roof. All MageBracket R comes with four 1/4" stainless steel self-tapping screws with EPDM sealing washers, and with or without L bracket.

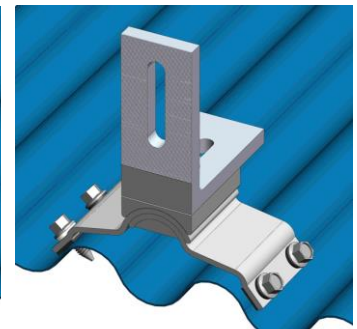
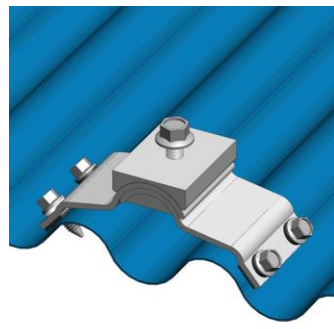
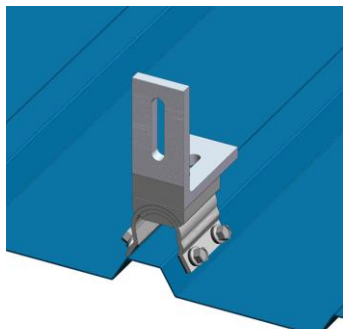
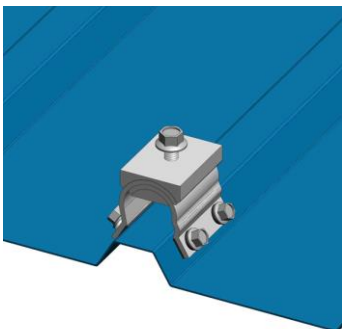
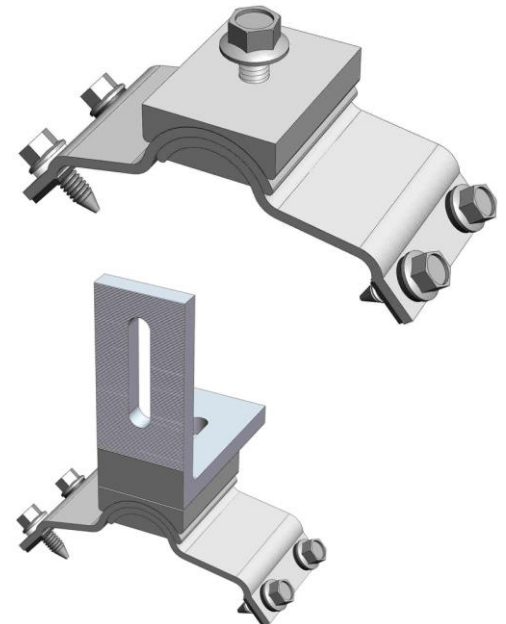
Part #	Part Name	Description
401-301	MageBracket R	Adjustable mounting bracket for R-panel trapezoidal metal roof
401-302	MageBracket R with L Bracket	Adjustable mounting bracket with L bracket for R-panel trapezoidal metal roof



### MageBracket C for Corrugated Metal Roof

MageBracket C is roof attachment for solar installation on corrugated metal roof. MageBracket C comes with or without L bracket. MageBracket C does not include any screws due to different installation method used to attach MageBracket C to corrugated metal roof.

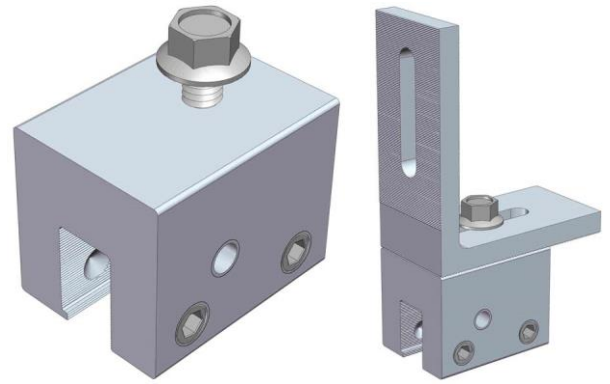
Part #	Part Name	Description
401-501	MageBracket C	Adjustable mounting bracket for corrugated metal roof of panel height 3/4" and higher
401-502	MageBracket C with L Bracket	Adjustable mounting bracket with L bracket for corrugated metal roof of panel height 3/4" and higher
401-503	MageBracket CL	Adjustable mounting bracket for corrugated metal roof of panel height 1/2" and lower
401-504	MageBracket CL with L Bracket	Adjustable mounting bracket with L bracket for corrugated metal roof of panel height 1/2" and lower



## MageClamp for Standing Seam Metal Roof

MageClamp is roof attachment for solar installation on standing seam metal roof. All MageClamp comes with two stainless steel set screws and one 5/16" stainless steel bolt, and with or without L bracket.

Part #	Part Name	Description
401-101	MageClamp	Mounting clamp for standing seam metal roof
401-102	MageClamp with L Bracket	Mounting clamp with L bracket for standing seam metal roof



## Standing Seam Metal Roof Mounting Kit

Magerack Standing Seam Metal Roof Mounting Kit is rail-less solar mounting system that can be used to install solar modules on standing seam metal roof. It includes mid clamp kit and universal end clamp kit.

Part #	Part Name	Description
401-210	Mid clamp kit	Mid clamp mounting kit for standing seam metal roof
401-211	Universal end clamp kit	Universal end clamp mounting kit for standing seam metal roof

