

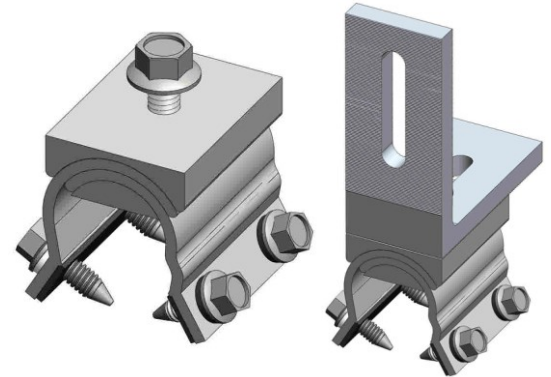


Roof Attachments and Mounting Kits for Metal Roofs Catalog/Specification

MageBracket R for R-Panel Trapezoidal Metal Roof

MageBracket R is roof attachment for solar installation on R-panel trapezoidal metal roof. MageBracket R comes with four 1/4" stainless steel self-tapping screws with EPDM sealing washers, and with or without L bracket.

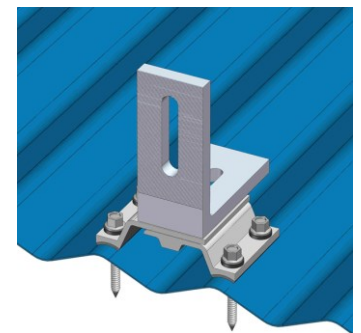
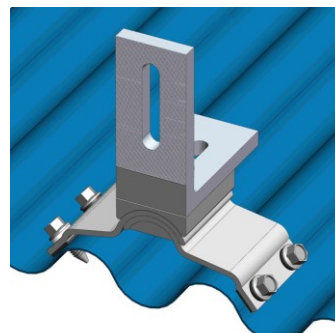
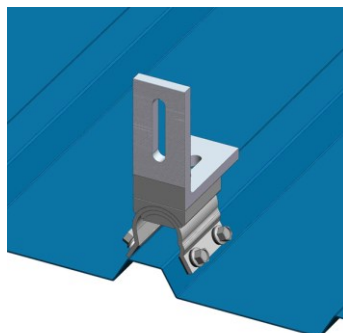
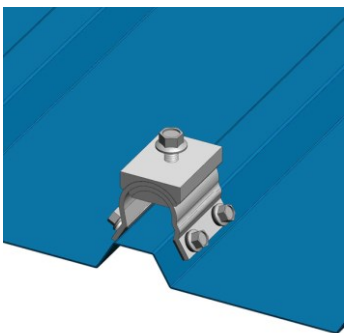
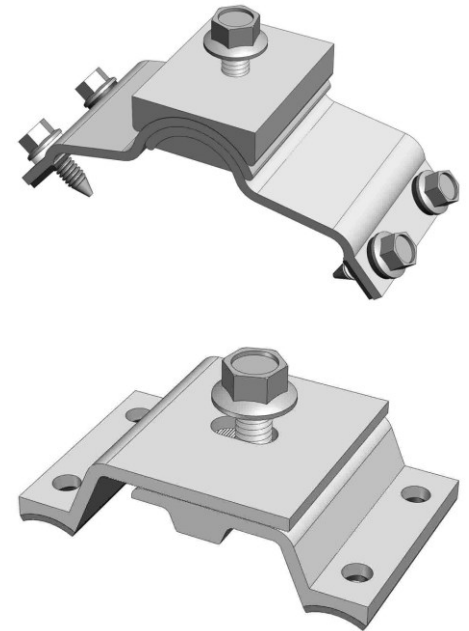
Part #	Part Name	Description
401-301	MageBracket R	Adjustable mounting bracket for R-panel trapezoidal metal roof
401-302	MageBracket R with L Bracket	Adjustable mounting bracket with L bracket for R-panel trapezoidal metal roof



MageBracket CH and CL for Corrugated Metal Roof

MageBracket CH and CL are roof attachments for solar installation on corrugated metal roof. MageBracket CH and CL come with or without L bracket. MageBracket CL does not include any self-tapping screws due to different installation methods used to attach MageBracket CL to corrugated metal roof.

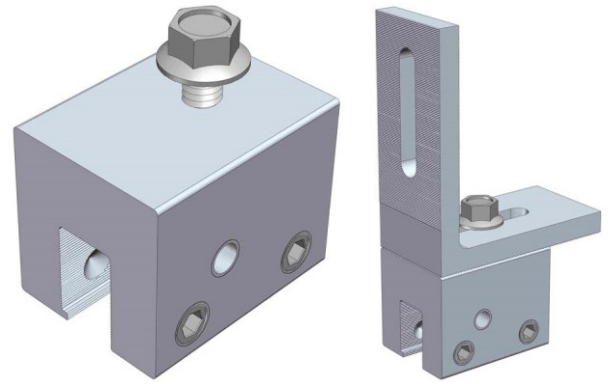
Part #	Part Name	Description
401-501	MageBracket CH	Adjustable mounting bracket for corrugated metal roof of panel height 3/4" and higher
401-502	MageBracket CH with L Bracket	Adjustable mounting bracket with L bracket for corrugated metal roof of panel height 3/4" and higher
401-503	MageBracket CL	Adjustable mounting bracket for corrugated metal roof of any panel height
401-504	MageBracket CL with L Bracket	Adjustable mounting bracket with L bracket for corrugated metal roof of any panel height



MageClamp for Standing Seam Metal Roof

MageClamp is roof attachment for solar installation on standing seam metal roof. All MageClamp comes with two stainless steel set screws and one 5/16" stainless steel bolt, and with or without L bracket.

Part #	Part Name	Description
401-101	MageClamp	Mounting clamp for standing seam metal roof
401-102	MageClamp with L Bracket	Mounting clamp with L bracket for standing seam metal roof



Standing Seam Metal Roof Mounting Kit

Magerack Standing Seam Metal Roof Mounting Kit is rail-less solar mounting system that can be used to install solar modules on standing seam metal roof. It includes mid clamp kit and universal end clamp kit.

Part #	Part Name	Description
401-210	Mid clamp kit	Mid clamp mounting kit for standing seam metal roof
401-211	Universal end clamp kit	Universal end clamp mounting kit for standing seam metal roof

