



## MageBracket CL for Corrugated Metal Roof

MageBracket CL is roof attachment for solar installation on corrugated metal roof. MageBracket CL comes with or without L bracket. MageBracket CL does not include any self-drilling screws due to different installation methods used to attach MageBracket CL to corrugated metal roof.

**Material:** Extruded aluminum alloy 6063-T5 and 304 stainless steel fasteners

**Finish:** Clear anodized

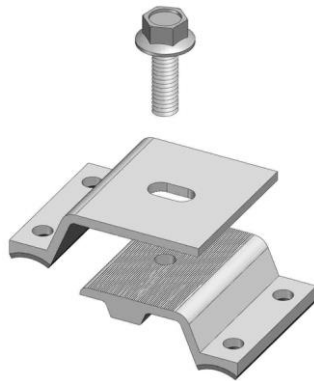
**Ultimate Tensile:** 38 ksi

**Yield:** 35 ksi

**Installation:** To tighten flange bolt, use anti-seize and tighten to 12 lb-ft of torque

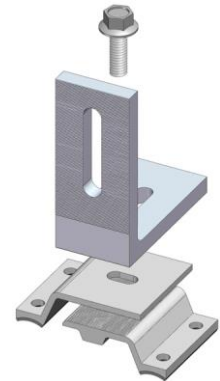
### MageBracket CL:

- One (1) MageBracket CL of two components with EPDM gaskets
- One (1) 5/16 x 3/4" stainless steel flange bolt
- Self-drilling screws are not included



### MageBracket CL with L Bracket:

- One (1) MageBracket CL of two components with EPDM gaskets
- One (1) L bracket
- One (1) 5/16 x 3/4" stainless steel flange bolt
- Self-drilling screws are not included



Part #	Part Name	Description
401-503	MageBracket CL	Width-adjustable mounting bracket for corrugated metal roof of any panel height. Adjustable width: 2.48" – 2.80"
401-504	MageBracket CL with L Bracket	Width-adjustable mounting bracket with L bracket for corrugated metal roof of any panel height. Adjustable width: 2.48" – 2.80". L bracket is 3-1/2" tall and 1-1/2" wide and base is 3" long (deep).

